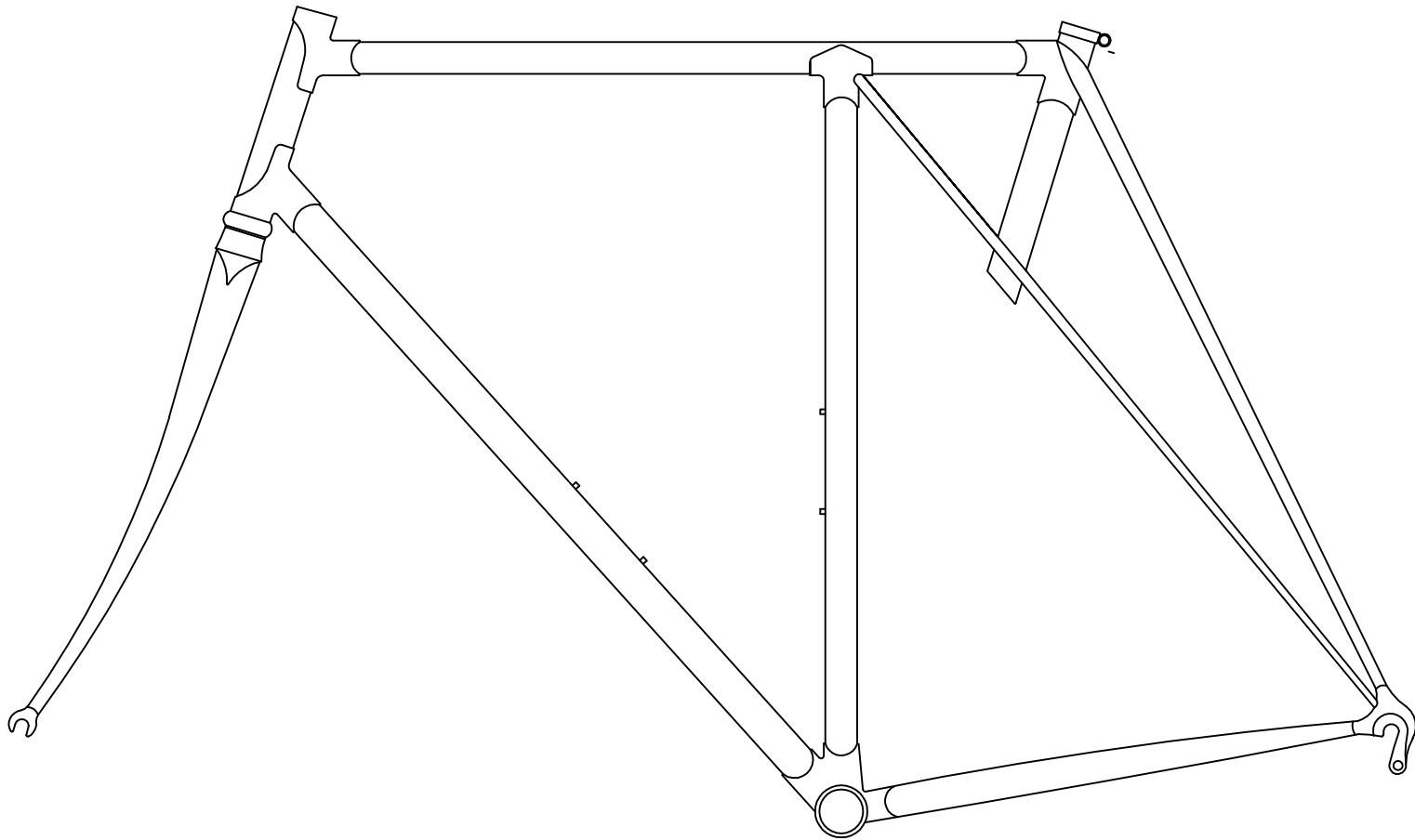


TJ CYCLES

Paint Specification sheet

Due to the large variety of options available with paint colour, masking and detailing, please mark up the drawing with this information.



Customer Name:

Date: